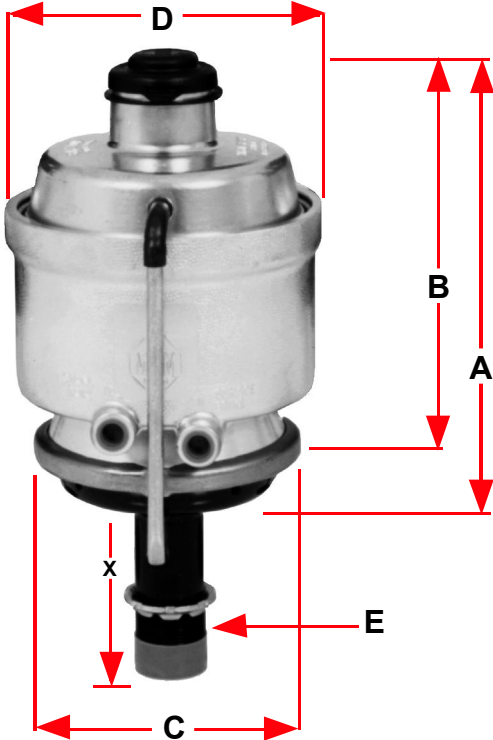



Standard Stroke Model

Combination	Single/Piggyback				
<p style="text-align: right;">VMRS# 13-004</p> 	<p style="text-align: right;">VMRS# 13-004-001</p>  <tr> <th colspan="2" data-bbox="764 604 1422 676" style="text-align: center;">Piggyback Plus Kit</th> </tr> <tr> <td colspan="2" data-bbox="764 676 1422 1134" style="text-align: center;">N/A</td> </tr>	Piggyback Plus Kit		N/A	
Piggyback Plus Kit					
N/A					

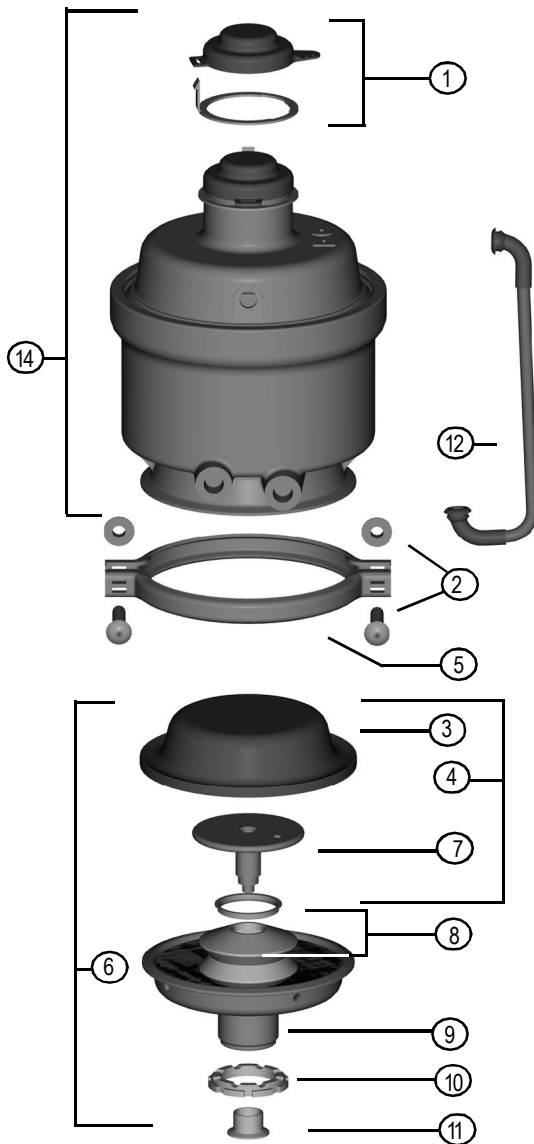
P/N Series	2017
Model	WM1624LG-T
Size	1624
Stroke	2.00"
P/N Combination	2017156
P/N Single/Piggyback	2017201
P/N Piggyback Plus Kit	N/A
Wt. Combination (Lbs.)	18.5
Wt. Single (Lbs.)	13.8
A	10.8
B	9.71
C	6.53
D	7.69
E	1 3/4" - UNC
Inlets	3/8" - NPTF
X - Min. (in the caged position)	4.5"

Note: Product information and specifications subject to change without notice

WM Model Features

- End Cap and Retainer
- Lightweight, Rugged Aluminum Housing
- Epoxy-Coated Power Spring
- External Breather Tube
- Integral Release Bolt

- Polymer Push-Rod Guides
- Molded Nitrile Rubber Push-Rod Air Seal
- Low Friction Piston and Guide
- Heavy-Duty Nylon Reinforced Diaphragms



Wedge Piston Assembly ArvinMeritor Bendix



Ordering: Determine if foundation brake is ArvinMeritor or Bendix type by comparison to piston assembly photos above.

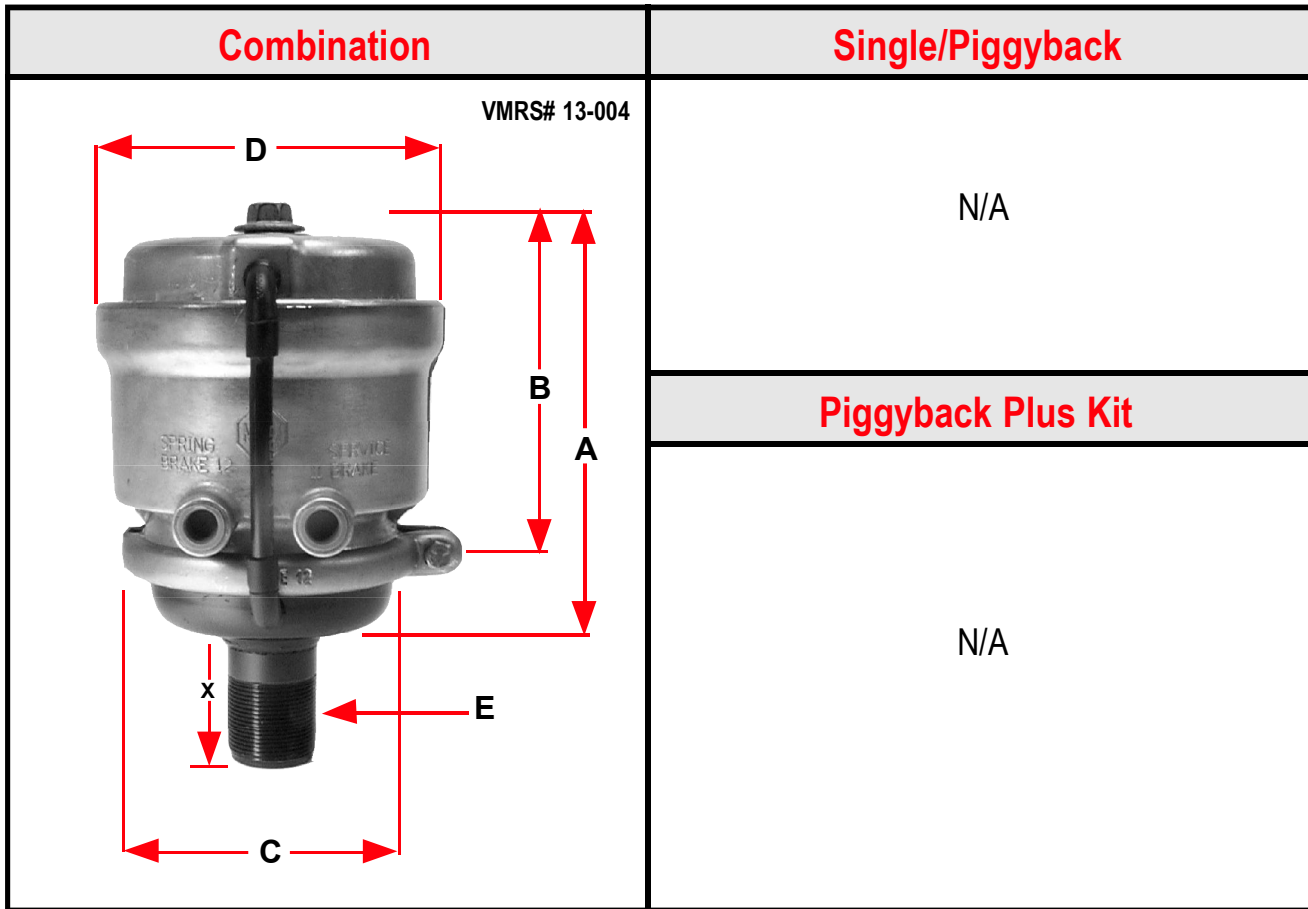
Replacement Parts

P/N Series	2017
Model	WM1624LG-T
1	End Cap & Retainer 8206008
2	Kit - Nuts & Bolts 9003002
3	Diaphragm (a)
4	Kit - Diaphragm / Push-Rod 9054653
5	Clamp Band Assembly 8216018
6	Kit - NP Chamber (b)
7	Push-Rod (a)
8	Kit - Wedge Boot 9004005
9	NP Chamber (a)
10	Spanner Nut 8034001
11	Wedge Guide - ArvinMeritor 8024006
12	Kit - Breather Tube 9081003
13	Kit - Release Bolt (Not Shown) 9007005
14	Piggyback 2017201

- Note:
- (a) Diaphragm is glued to push-rod plate, therefore diaphragm and push-rod assembly are available only as part of item 6 kit.
 - (b) For 4.50 X-Dim use P/N 9015196
For 5.00 X-Dim use P/N 9015197

1.75" Stroke Model

MJW1216AT 1.75" Stroke Model



P/N Series	MJW1216AT
Model	MJW1216AT
Size	1216
Stroke	1.75"
Push-Rod	ArvinMeritor / Bendix
P/N Combination	(a)
P/N Single/Piggyback	N/A
P/N Piggyback Plus Kit	N/A
Wt. Combination (Lbs.)	13.18
Wt. Single (Lbs.)	N/A
A	7.90
B	5.84
C	5.70
D	6.44
E	1 3/4" - 12 UNC
F Inlets	3/8" - NPTF
X	4.10"

Standard Assembly Part Numbers

Model	MJW1216AT	
Size	MJW1216AT	
X Dimension	ArvinMeritor	Bendix
2.25	MJW1216AT052	MJW1216AT059
2.85	MJW1216AT053	MJW1216AT060
4.10	MJW1216AT054	MJW1216AT061
6.10	MJW1216AT055	MJW1216AT062

Note: (a) Refer to "Standard Assembly Part Numbers Chart" for mounting tube length variations.

Product information and specifications subject to change without notice.

MJW1216AT Model

1.75" Stroke Model

MJW Model Features

- Wide Choice Tube Lengths
- Lightweight, Rugged Aluminum Housing
- Epoxy-Coated Power Spring
- External Breather Tube

- Integral Release Bolt
- Polymer Push-Rod Guides
- Molded Nitrile Rubber Push-Rod Air Seal
- Low Friction Piston and Guide
- Heavy-Duty Nylon Reinforced Diaphragms

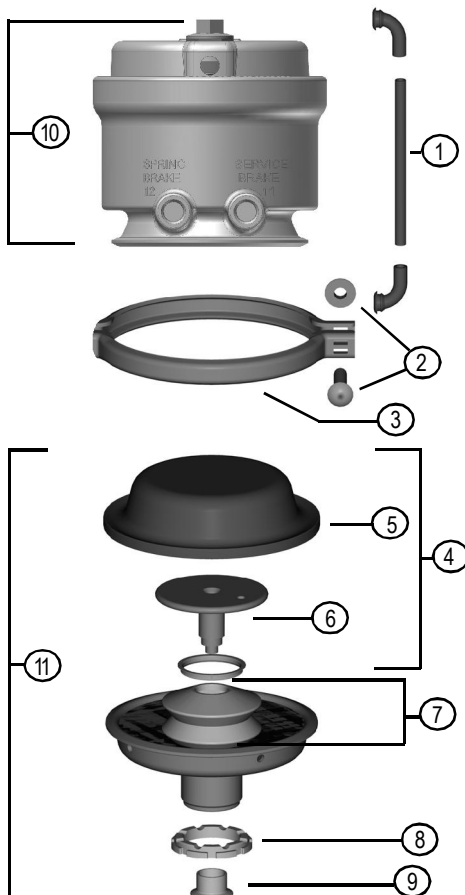
Wedge Piston Assembly ArvinMeritor Bendix



Ordering: Determine if foundation brake is ArvinMeritor or Bendix type by comparison to piston assembly photos above.

Standard Service Kits

Type MJW1216AT		
Stroke 1.75"		
X Dimension	ArvinMeritor	Bendix
2.25	9015247	9015254
2.85	9015248	9015255
4.10	9015249	9015256
6.10	9015250	9015257



Replacement Parts

P/N Series	MJW1216AT
Model	MJW1216AT
Part Description	MGM P/N
1 Kit - Breather Tube	9081001
2 Kit - Nuts & Bolts	9003002
3 Clamp Band Assembly	8216012
4 Kit - Diaphragm/Push Rod	(a)
5 Diaphragm	(a)
6 Push Rod	(a)
7 Kit - Wedge Boot	9004005 (a)
8 Spanner Nut	8034001
9 Wedge Guide (ArvinMeritor)	8024006
10 Piggyback	N/A
11 Kit - NP Chamber	Refer to Wedge Chamber service kits above

Note: (a) Diaphragm is glued to push-rod plate, therefore diaphragm and push-rod assembly are available only as part of item 11 kit.

For additional replacement parts, refer to Replacement Parts Section 7.