



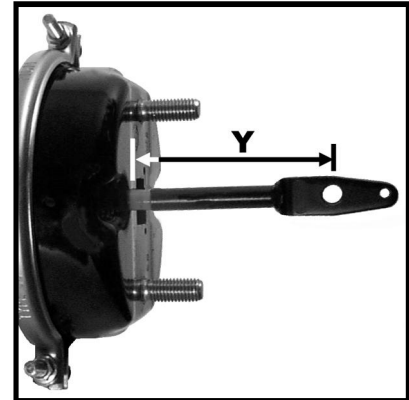
TR-LP3T

Long Stroke Model

DOUBLE DIAPHRAGM

Combination	Single/Piggyback
<p>VMRS# 13-004</p>	N/A
	Piggyback Plus Kit
	<p>VMRS# 13-004-001</p>

P/N Series	3221	3225	3231
Model	TR2030LP3T	TR2430LP3T	TR3030LP3T
Size	2030	2430	3030
Stroke	3.00"	3.00"	3.00"
P/N Combination	3221051	3225051	3231051
P/N Single/Piggyback	N/A	N/A	N/A
P/N Piggyback Plus Kit	3221008	3225008	3231008
Wt. Combination (Lbs.)	19.1	19.3	20.1
Wt. Single (Lbs.)	11.5	11.5	11.5
A	10.19	10.19	9.99
B	7.81	7.81	7.61
C	7.38	7.38	8.32
D	8.21	8.21	8.21
E	4.75"		
F	5/8" - 11UNC		
G	5/8" - 18UNF		
Inlets	3/8" - NPTF		
X - Min. (in the caged position)	8.00"		



Note: Type 2430 and 3030 units equipped with welded-yoke and 2.25" Y-dimension are replaced by Part Number:

3225951 (TR2430LP3T)
3231951 (TR3030LP3T)

Refer to Section 7 for replacement parts.

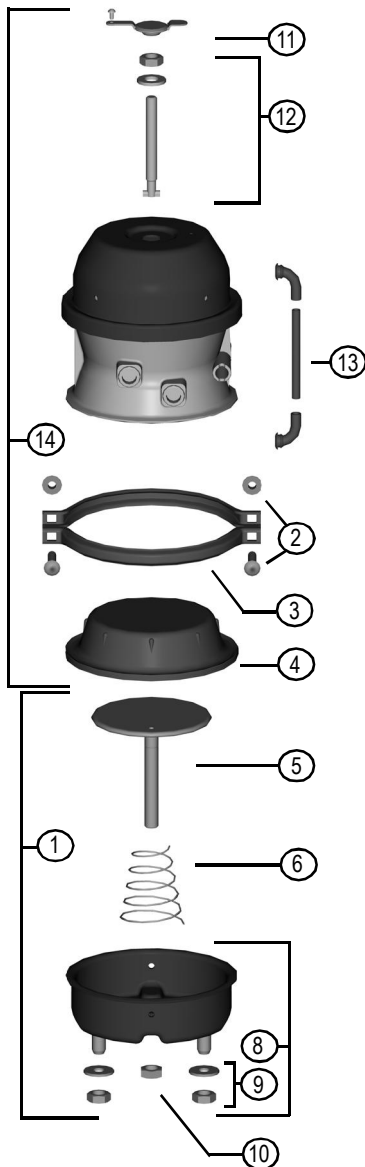
Note: Product information and specifications subject to change without notice.

Long Stroke Model

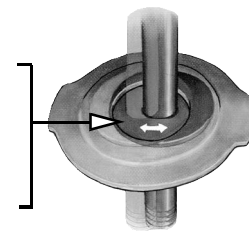
TR-LP3T Model Features

- Tamper Resistant Design (U.S. Patent No. 5,067,391)
- Long Life Power Spring
- Positive Alignment System (PAS) (U.S. Patent No. 5,507,217)
- Epoxy-Coated Head, Non-Pressure Chamber and Lower Push-Rod Assembly
- Center Hole Shield
- Square Port Bosses (Long Stroke Identification)

- Weatherseal™ Plug
- Heavy-Duty 8-Gauge Steel Non-Pressure Chamber (Type 3030 Models) - (9 gauge on all other sizes)
- Polymer Push-Rod Guides
- Heavy-Duty Nylon Reinforced Diaphragms
- Heavy-Duty Nylon Reinforced Neoprene Diaphragms (Optional)
- Stroke Alert
- Externally Stored Release Bolt
- 3 Inch Long Stroke
- Molded Nitrile Rubber Air Seal
- **External Breather Tube**



⑦ **Center Hole Shield**
Permits visual inspection of stroke alert but prevents entry of contaminants.



Replacement Parts

P/N Series	3221	3225	3231
Model	TR2030LP3T	TR2430LP3T	TR3030LP3T
1 Kit - NP Chamber (a)	9015232	9015215	9015218
2 Kit - Nuts & Bolts	9003001	9003001	9003001
3 Clamp Band Assembly	8216027	8216025	8216045
4 Diaphragm	8017226	8017424	8017830
5 Kit - Push-Rod Assembly (a)	9064026	9064006	9064008
6 Return Spring	8068012	8068012	8068012
7 Kit - Center Hole Shield	9065002	9065002	9065002
8 NP Chamber Assembly	9015213	9015213	9015216
9 Kit - Nuts & Washers	9002001	9002001	9002001
10 Hex Nut - Yoke	8130004	8130004	8130004
11 Kit - Weatherseal™ Plug	9019005	9019005	9019005
12 Kit - Release Bolt	9007003	9007003	9007003
13 Kit - Breather Tube	9081001	9081001	9081001
14 Kit - Piggyback Plus	3221008	3225008	3231008
OPTIONAL ITEMS			
Yoke & Welded Yoke Assemblies	Refer to Replacement Parts Section 7		
Boot & Retainer	Refer to Replacement Parts Section 7		

Note: (a) To ensure correct stroke alert positioning, these kits must be used only on the designated MGM Brake units.

For additional replacement parts, refer to Replacement Parts Section 7.