

HD SPRING BRAKES PARK STRONGER

*Heavy-Duty
Power Spring*



TR-LP3THD
Model Shown

PROVIDES **EXTRA**
PARKING FORCE
WHEN YOU NEED IT MOST.



MGM Brakes
A Division of Indian Head Industries, Inc.



Form 5033

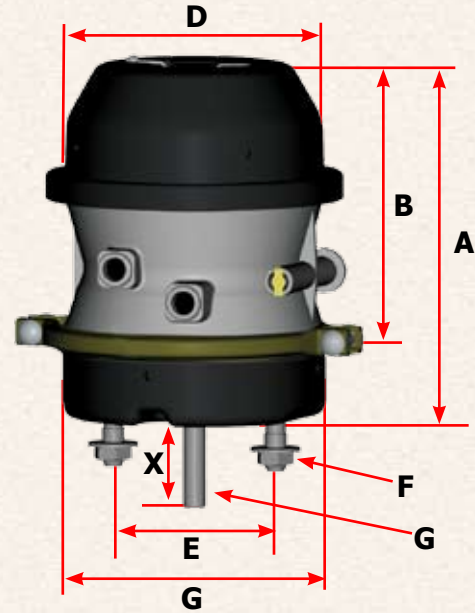
HD Model Spring Brakes

TR-HD spring brake models have all the quality design features of our world-famous TR-Series lineup, with the added feature of having a **Heavy-Duty Power Spring** for extra parking force. Our **HD Series** offers an array of models great for applications requiring extra parking capability such as high-tonnage dump trucks, ready-mix cement trucks, refuse haulers, school buses, etc.

- **TR-THD** models add an **External Breather Tube** to lock out contaminants from the spring chamber.
- **TR-TSHD** models also add an anti-corrosion **Epoxy Coating** on key components.
- **TR-LP3HD** models offer **3-Inch Long Stroke** performance.

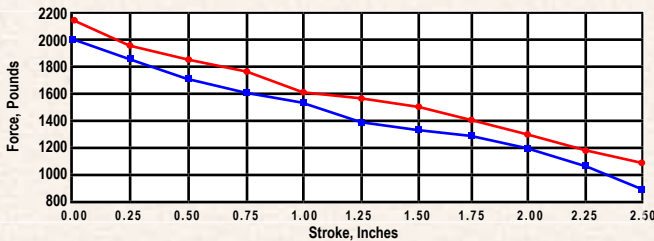
KEY FEATURES

- ALL the quality design features of our TR-Series model lineup
- Heavy-Duty Power Spring provides approx. 158 lbs. more force output @ 1.25 inches of stroke over a std. spring
- Heavy-Duty 8-Gauge Steel NPC (Non-Pressure Chamber) standard on Type 3030 aftermarket models



TR-LP3HD Model Shown

PARKING FORCE COMPARISON
TRxx30HD vs. TRxx30



STANDARD STROKE

3-INCH LONG STROKE

| P/N Series | 3624 | 3625 | 3526 | 3630 | 3631 | 3533 | 3226 | 3227 | 3527 | 3232 | 3233 | 3534 |
|------------------------|--------------|------------|-------------|----------|-----------|------------|-------------|--------------|---------------|-------------|--------------|---------------|
| Model | TR2430LHD | TR2430LTHD | TR2430LTSHD | TR3030HD | TR3030THD | TR3030TSHD | TR2430LP3HD | TR2430LP3THD | TR2430LP3TSHD | TR3030LP3HD | TR3030LP3THD | TR3030LP3TSHD |
| Size | 2430 | 2430 | 2430 | 3030 | 3030 | 3030 | 2430 | 2430 | 2430 | 3030 | 3030 | 3030 |
| Stroke | 2.50" | 2.50" | 2.50" | 2.50" | 2.50" | 2.50" | 3.00" | 3.00" | 3.00" | 3.00" | 3.00" | 3.00" |
| P/N Combination | 3624051 | 3625051 | 3526051 | 3630051 | 3631051 | 3533051 | 3226051 | 3227051 | 3527051 | 3232051 | 3233051 | 3534051 |
| P/N Single/Piggyback | N/A | N/A | N/A | N/A | 3631001 | N/A | N/A | N/A | N/A | N/A | N/A | N/A |
| P/N Piggyback Plus Kit | 3624008 | N/A | N/A | 3630008 | N/A | N/A | 3226008 | 3227008 | N/A | 3232008 | 3233008 | N/A |
| Wt. Combination (Lbs.) | 18.6 | 18.6 | 18.6 | 19.9 | 19.9 | 19.9 | 19.5 | 19.5 | 19.5 | 20.4 | 20.4 | 20.4 |
| Wt. Single (Lbs.) | 11.7 | N/A | N/A | 11.5 | 11.5 | N/A | 11.7 | 11.7 | 11.7 | 11.7 | 11.7 | 11.7 |
| A | 9.04 | 9.04 | 9.04 | 9.04 | 9.04 | 9.04 | 10.19 | 10.19 | 10.19 | 9.99 | 9.99 | 9.99 |
| B | 6.91 | 6.91 | 6.91 | 6.66 | 6.66 | 6.66 | 7.81 | 7.81 | 7.81 | 7.61 | 7.61 | 7.61 |
| C | 7.38 | 7.38 | 7.38 | 8.31 | 8.31 | 8.31 | 7.38 | 7.38 | 7.38 | 8.32 | 8.32 | 8.32 |
| D | 8.21 | 8.21 | 8.21 | 8.21 | 8.21 | 8.21 | 8.21 | 8.21 | 8.21 | 8.21 | 8.21 | 8.21 |
| E | 4.75" | | | | | | | | | | | |
| F | 5/8" - 11UNC | | | | | | | | | | | |
| G | 5/8" - 18UNF | | | | | | | | | | | |
| Inlets | 3/8" - NPTF | | | | | | | | | | | |
| X - Min. (in caged po- | 8.00" | | | | | | | | | | | |

NOTES: For Replacement Parts for the above spring brake models, please see MGM Brakes Master Catalog (Form No. 6000ss).
• Product information and specifications subject to change without notice.



www.MGMBrakes.com

Available from:



A Leader in Truck & Bus Safety—Worldwide.